

PRODOTTI / RICAMBI
PRODUCTS / SPARE PARTS
PRODUITS / PIÈCES DÉTACHÉES
PRODUKTE / ERSATZTEILE
PRODUCTOS / REPUESTOS

MYTHOS

Esplosi

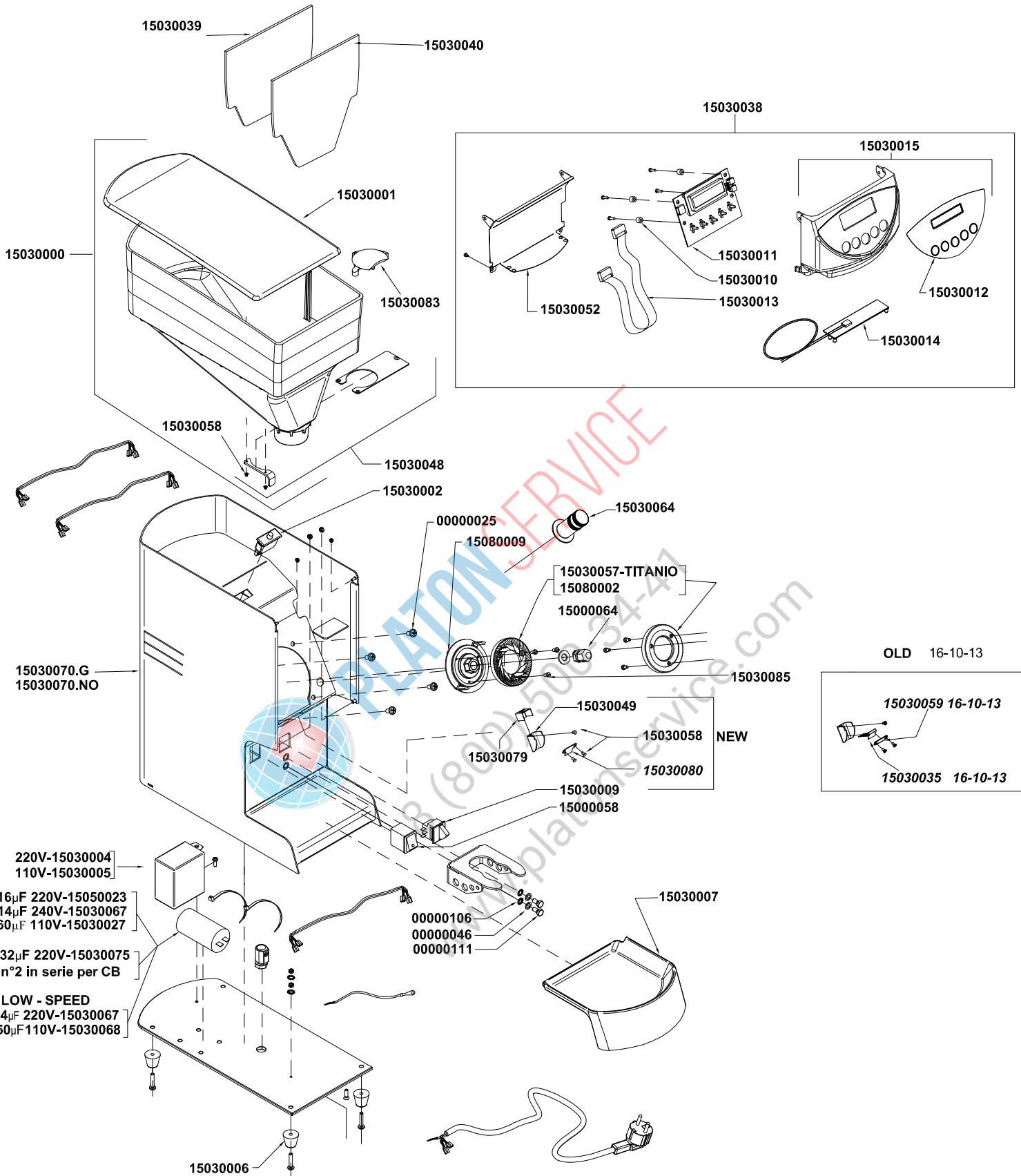
02/04/2014



 nuova
SIMONELLI®

MYTHOS

M
Y
T
H
O
S
P
L
U
S
-
B
A
R
I
S
T
A
-
B
A
S
I
C



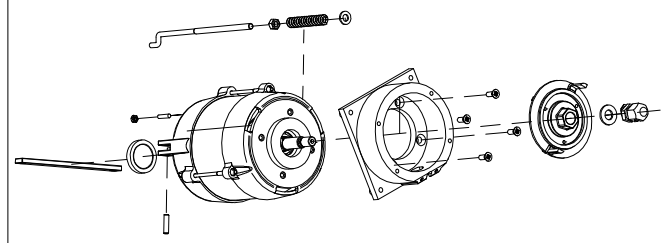
OLD 16-10-13

15030059 16-10-13

15030035 16-10-13

NEW

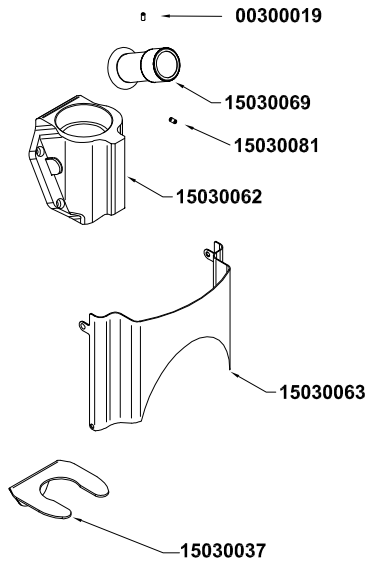
MOTORE COMPLETO	220V--15030016	110V--15030017
LOW - SPEED	220V--15030065	110V--15030066



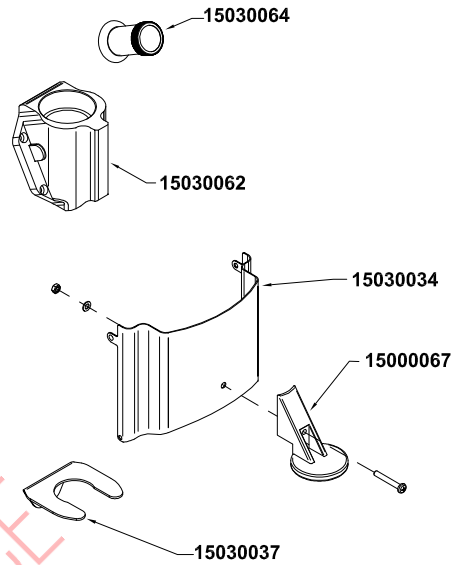
TAV 01

MYTHOS: SENZA PRESSINO

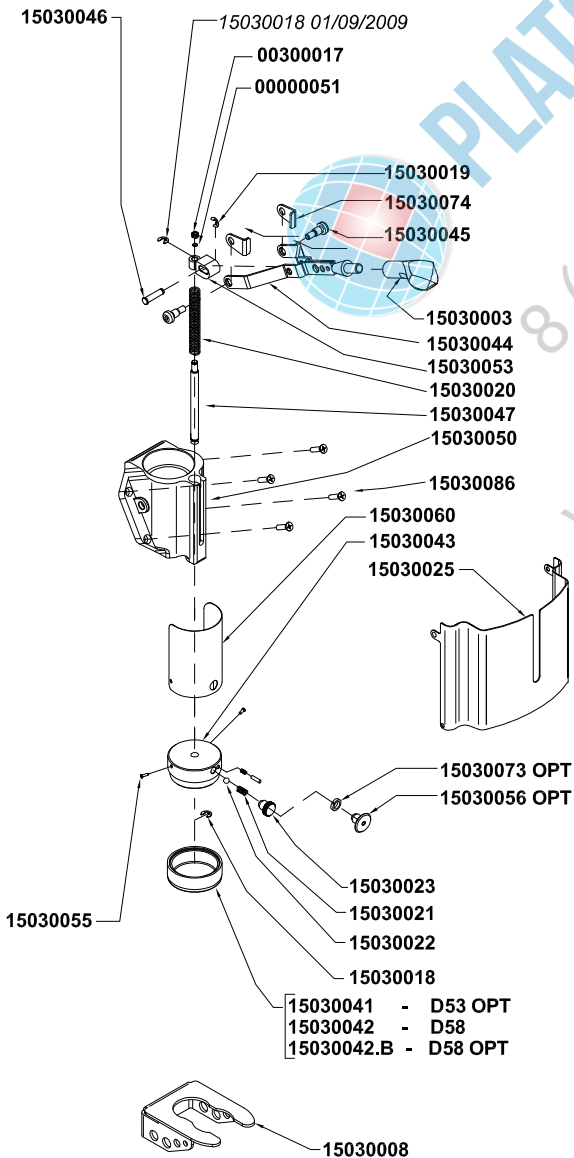
VERSIONE: BARISTA



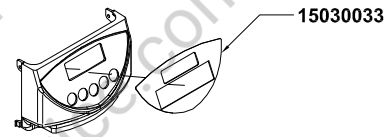
VERSIONE: BASIC



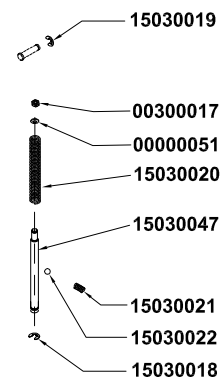
PRESSINO COMPLETO - 15030028 VERSIONE PLUS



PULSANTIERA: 1° SERIE UTILIZZARE 15030038



KIT RICAMBIO ASTA PRESSINO - 15030061



TAV 02

CODICE	DESCRIZIONE	DESCRIPTION	DATA FINE VALIDITA'
00000025	VITE AQ M6x20 TC T.CR. ZINC *KB*	GALV. CROSS HEAD SCREW M6x20	
00000046	RONDELLA AQ M6 6,4X12,5X1,6 Z.	WASHER ZINC M6 6,4X12,5X1,6	
00000051	RONDELLA D4xDe8 UNI 6592	WASHER 4x8	
00000106	RONDELLA ZIGRINATA DIAM 6	MILLED WASHER DIAM. 6	
00000111	VITE AQ 8.8 M6x16 TE ZINC	8.8 ZINC HEX-HEAD SCREW M6x16	
00300017	DADO AUTOBLOC INOX M4 ALTO DIN982	SELF-LOCKING STAINLESS STEEL NUT M4 HIGH DIN 982	
00300019	GRANO INOX M4x6 UNI 5923 PP *KB*	STAINLESS STEEL SCREW M4x6	
15000058	INTERRUTTORE MONOF.L. 1011.0001	SWITCH	
15000064	DADO FERMA PORTAMACINE 2501.0003	SPIRAL FOR BLADES-BEARER	
15000067	PRESSACAFFE FRONTALE 2001.0017	2001.0017 FRONT COFFEE PRESS	
15030000	CAMPANA COMP. MYTHOS 4000.0000	BELL ASSEMBLY MYTHOS 4000.0000	
15030001	COPERCHIO CAMPANA MYTHOS 4100.0007	HOPPER COVER MYTHOS GRINDER	
15030002	MICROSW SICUREZZA MYTHOS 4110.0007	SAFETY MICROSWITCH MYTHOS	
15030003	IMPUGNATURA SAGOMATA X MYTHOS 4100.0025	SHAPED GRIP FOR MYTHOS 4100 0025	
15030004	ALIMENTATORE 220V X MYTHOS 4110.0002	220 V FEEDER FOR MYTHOS 4110.0002	
15030005	ALIMENTATORE 110V X MYTHOS 4110.0008	110 V FEEDER FOR MYTHOS	
15030006	PIEDINO GOMMA MYTHOS 4100.0035	FOOT MYTHOS	
15030007	CASSETTINO X MYTHOS 4100.0009	DRAWER FOR MYTHOS 4100 0009	
15030008	FORCELLA INOX MYTHOS 4100.0019	SS MYTHOS FORK	
15030009	MICROSW ATTIV. MACINAT. MYTHOS 4110.0006	MICROSWITCH	
15030010	PIOLINO DISTANZIATORE MYTHOS 4100.0033	SPACER FOR DISPLAY MYTHOS	
15030011	DISPLAY CON SCHEDA X MYTHOS 4111.0001	DISPLAY FOR MYTHOS WITH BOARD	
15030012	PULSANT. MYTHOS N.SIMONELLI 4111.0009	SIMONELLI MYTHOS TOUCH PAD 4111 0009	
15030013	CAVETTO 10 VIE X MYTHOS 4110.0004	10-WAY CABLE FOR MYTHOS	
15030014	MODULO PORTALED MYTHOS 4110.0009 COMPLETO DI CAVETTO	MODULE LED MYTHOS	
15030015	FRONTALE COM. + PULS. MYTHOS 4100.0012+4111.0009	COM. FRONT + MYTHOS TOUCH PAD	
15030016	MOTORE COMPLETO MYTHOS 220V	MYTHOS COMPLETE 220 V MOTOR	
15030017	MOTORE COMPLETO MYTHOS 110V	MYTHOS COMPLETE 110 V MOTOR	
15030018	ANELLO ELAST. ALB. D5 DIN 6799 6040.0041	SHAFT RETAINING RING D5 DIN 6799	
15030019	ANELLO ELAST. ALB. D4 DIN 6799 6040.0042	SHAFT RETAINING RING D4 DIN 6799	
15030020	MOLLA RITORNO LEVA PRESS. MYT. 6002.4102	RETURN SPRING	
15030021	MOLLA REG. SFERA PRESS. MYTHOS 6002.4101	PRESSURE REG. KNOB SPRING	
15030022	SFERA REG. PRESS. MYTHOS 6040.0040	PRESSURE REGULATOR KNOB	
15030023	VITE REGISTRO PRESS. MYTHOS 4100.0023	REGISTER SCREW	
15030025	SPORTELLO INOX MYTHOS 4100.0011	SS DOOR MYTHOS 41000011	
15030027	CONDENSATORE 60 mF UL 1013.0060	60 mF UL CONDENSER 10130060	
15030028	PRESSINO COMPLETO MYTHOS 4010.0000	PRESS ASSEMBLY MYTHOS 4010.0000	
15030033	MASC.+ETICHETTA MYTHOS 1 SER. 4100.0005 + E37	COVER + TOUCH PAD MYTHOS	
15030034	SPORTELLO INOX MYTHOS S/P 4100.0029	SS DOOR FOR MYTHOS S/P 41000029	
15030035	FRANGIA ROMPIGETTO MYTHOS 4100.0027	DISPERSION NUT FLANGE MYTHOS 4100.0027	16/10/2013
15030037	FORCELLA INOX MYTHOS S/PRESS. 4100.0036	SS MYTHOS M/PRESS FORK	
15030038	FRONTALE COMANDI COMPLETO 4111.1000	CONTROL FRONT CABINET MYTHOS	
15030039	SEPARATORE BASSO 4100.0037	SEPARATING SET (LOW)	
15030040	SEPARATORE ALTO 4100.0038	SEPARATING SET (HIGH)	
15030041	DISCO PRESSINO D=52 PIATTO x SPAZIALE	PRESS DISC D=52 FLAT FOR SPAZIALE	
15030042	DISCO INF. PRESSINO D=58 4100.0032	PRESS DISC D=58	
15030042.B	DISCO INF. PRESSINO D=58 BOMB. 4100.0042	PRESS DISC D=58 CONVEX	
15030043	DISCO SUP. PRESSINO MYTHOS 4100.0031	PRESS TOP DISC MYTHOS 4100.0031	
15030044	LEVA SAGOMATA X PRESS. MYTHOS 4100.0022	LEVER FOR PRESS.MYTHOS	
15030045	VITE M6/8X10 BRUGOLA 6060.0090	SOCKET SCREW MM6/8X10	
15030046	PERNO LEVA PRESSINO MYTHOS 4100.0020	PIN LEVER FOR PRESS.MYTHOS	
15030047	ASTA ACCIAIO PRESSINO MYTHOS 4100.0017	ROD FOR PRESS.MYTHOS	
15030048	GHIgliottina Completa MYTHOS 4100.0003-4100.0004-6060.0091	GUILLOTINE ASSY. MYTHOS	
15030049	CANALETTO USCITA CAFFE' MYTHOS 4100.0024	COFFEE OUTLET GUIDE MYTHOS	
15030050	PORTAMACINE SUP. MYTHOS 4100.0002	TOP GRINDER SUPPORT MYTHOS	
15030052	PROTEZIONE SCHEDA MYTHOS 4100.0034	DISPLAY PROTECTION MYTHOS	
15030053	NOTTOLINO PER MYTHOS 4100.0014	LEVER JOINT MYTHOS	
15030055	VITE AUTOF 2,2x6,5 TCTCR ZINC. 6060.0018	SCREW 2.2X6.5mm TCTCR	
15030056	VITE REGISTRO PRESS. MYTHOS CON CHIAVE 4100.0060	REGISTER SCREW FOR KEY	
15030057	COPPIA MACINE D.75 MYTHOS LONG LIFE MACMYTHOSLOW CP	PAIR OF MYTHOS GRINDERS 75 mm LONG LIFE	
15030058	VITE INOX M3x6 TSP TCR 6060.0091	SS SCREW M3x6	
15030059	FERMAGLIO X FRANGIA ROMPIGETTO MYTHOS 4100.0026	DISPERSION NUT FLANGE CLIP	16/10/2013
15030060	CAMICIA COPRIGUIDA PRESSINO MYTHOS 4100.0030	COVER GUIDE FOR PRESS.MYTHOS	
15030061	KIT RICAMBIO ASTA PRESSINO DINAMOMETRICO MYTHOS	REPLACEMENT KIT ROD FOR PRESS.MYTHOS	
15030062	PORTAMAC. SUP. TAGLIATO MYTHOS(NO TAMPER) 4100.0039	UPPER GRINDER HOLDER - MYTHOS (NO TAMPER)	
15030063	SPORTELLO INOX TAGLIATO MYTHOS4100.0028	SS DOOR FOR MYTHOS BARISTA	
15030064	POMELLO REGISTRO MACIN. MYTHOS INTEGRALE 2501.0012	GRINDER REGISTER HANDLE	
15030065	MOTORE COMPLETO MYTHOS LOW - SPEED 220V	MYTHOS COMPLETE 220 V LOW-SPEED MOTOR	
15030066	MOTORE COMPLETO MYTHOS LOW - SPEED 110V	MYTHOS COMPLETE 110 V LOW-SPEED MOTOR	
15030067	CONDENSATORE 14mF x MYTHOS LOW-SPEED 220V 1013.1400	14 mF CONDENSER	
15030068	CONDENSATORE 50mF x MYTHOS LOW-SPEED 110V 1012.0007	50 mF CONDENSER	
15030069	POMELLO REGISTRO MACIN.MYTHOS BARISTA 4016.0000	GRINDER REGISTER HANDLE	
15030070.G	CORPO MYTHOS COLORE GRIGIO 4100.0040	BODY MYTHOS GREY	
15030070.NO	CORPO MYTHOS COLORE NERO OPACO 4100.0040	BODY MYTHOS OPAQUE BLACK	
15030073	RONDELLA REGOLAZIONE PRESSINO 6061.0017	TAMPER REGULATION WASHER	
15030074	BATTUTA FINECORSA LEVA PRESSATURA 4100.0072	END STROKE FOR TAMPER LEVER	
15030075	CONDENSATORE 32mF x MYTHOS 220V 1013.0032	32 mF CONDENSER	
15030079	FRANGIA CLUMP CRUSHER MYTHOS 4100.0079	DISPERSION NUT FLANG	
15030080	FERMAGLIO CLUMP CRUSHER MYTHOS 4100.0086	DISPERSION NUT FLANG	
15030081	PERNOLINO DI RIFERIMENTO POMELLO MYTHOS 6060.0108	PIN REGISTER MYTHOS	
15030083	CHIUSURA SICUR.CAMPANA MYTHOS 5101.0014	BELL SAFETY COVER MYTHOS 5101.0014	
15030085	VITE INOX M4x10 TCT(-) TESTA TAGLIO 6060.0002 FISS. MACINE	GRINDER ASSEMBLY SCREW	
15030086	VITE INOX M5x16 TC BOMBATA 6060.0093 FISS. PORTA MACINE	BOTTOM GRINDER ASSEMBLY	
15050023	CONDENS. 16mF 450V 40x70 UL FASTON M6,3 CODOLO M8x10	CAPACITOR	
15080002	COPPIA MACINE D.75	GRINDING WHEELS 75 mm	
15080009	PORTAMACINA INFERIORE 75 2520.0005	BOTTOM GRINDER 75 2520.0005	

1ª serie di Mythos fino ai seguenti numeri di serie: 200258 (115 V) – AA 1067-07 (230 V)
1st batch of Mythos until.: SN: 200258-07 (115 V) - SN: AA 1067-07 (230 V)



2ª serie di Mythos
2nd batch of Mythos

